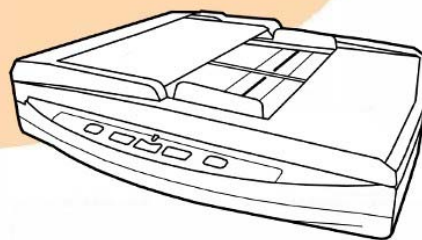


Scanner User's Guide

plustek



SmartOffice PL1530

- ✓ **Installation**
- ✓ **Usage & Maintenance**

Trademarks

© 2010 Plustek Inc. All rights are reserved. No portion of this document may be reproduced without permission.

All trademarks and brand names mentioned in this publication are property of their respective owners.

Liability

While all efforts have been made to ensure the accuracy of all contents in this manual, we assume no liability for errors or omissions or by statements of any kind in this manual, whether such errors are omissions or statements resulting from negligence, accidents, or any other cause. The contents of this manual are subject to change without notice. We will not shoulder any legal liability, if users failed to follow the operation instructions in this manual.

Copyright

The scanning of certain documents, for example checks, bank notes, I.D. cards, government bonds, or public documents, may be prohibited by law and/or subject to criminal prosecution. We recommend you to be responsible and respectful of the copyrights laws when you are scanning books, magazines, journals and other materials.

Environmental Information

Recycle or disposal at end-of-life information, please ask local distributors or suppliers for recycle and disposal information. The product is designed and produced to achieve sustainable environmental improvement. We strive to produce products in compliance with global environmental standards. Please consult your local authorities for proper disposal.

The product packaging is recyclable.

Attention for recycling (For EU country only)

Protect your environment! This product should not be thrown into the household waste container. Please give it to the free collecting center in your community.

Screen Examples in This Manual

The screen shots in this guide were made with Windows XP. If you are using Windows 2000 / Vista / 7, your screen will look somewhat different but functions the same.

Table of Contents

INTRODUCTION	1
How to Use This Guide.....	1
Conventions of This Guide	2
<i>A Note about Icons</i>	2
Safety Precautions.....	2
Minimum System Requirements.....	3
Box Contents	4
The Scanner Features.....	5
CHAPTER I. INSTALLING THE SCANNER	7
Software Installation Requirements	7
Hardware Requirements.....	7
Installing and Setting up the Scanner.....	8
<i>Step 1. Connecting the Scanner to Your Computer</i>	8
<i>Step 2. Installing the Software</i>	9
<i>Step 3. Testing the Scanner</i>	11
Installing Additional Software.....	13
CHAPTER II. SCANNING	14
Activating the Scanner Connection.....	14
Preparing Documents	15
<i>Checking Document Conditions</i>	15
<i>Loosening Documents (for ADF Scan)</i>	17
Placing Documents.....	17
<i>Using the Flatbed</i>	17
<i>Using the ADF</i>	18
Placing Business Cards.....	19
Scanning Documents.....	19
<i>Scanning via TWAIN Interface</i>	20
<i>Scanning from Plustek DI Capture Program</i>	23
<i>Scanning from the Scanner's Front Panel or On-screen DocAction's Execute Menu</i>	24
CHAPTER III. CARE AND MAINTENANCE	26
Cleaning the Scanner	26
<i>Cleaning Materials</i>	26
<i>Cleaning the Flatbed</i>	26
<i>Cleaning the ADF</i>	27
Replacing Consumables.....	29
<i>Replacing the Pad Module</i>	29
Calibrating the Scanner	30
Power Save	31
CHAPTER IV. TROUBLESHOOTING	33
Scanner Connection	33
Clearing Paper Jams	33
APPENDIX A: SPECIFICATIONS	35
APPENDIX B: CUSTOMER SERVICE AND WARRANTY	37
Service & Support Information.....	37
Statement of Limited Warranty	38
FCC Radio Frequency Statement.....	39

INTRODUCTION

Thank you for choosing us as your scanner supplier. Your new scanner will improve the professionalism of your day-to-day computing tasks by allowing you to input images and electronic text into your computer system. You can easily scan single-sided or double-sided documents with your scanner.

Like all of our products, your new scanner is thoroughly tested and backed by our reputation for unsurpassed dependability and customer satisfaction. We hope you will continue to turn to us for additional quality products as your computing needs and interests grow.

HOW TO USE THIS GUIDE

This User's Guide provides instructions and illustrations on how to install and operate your scanner. This guide assumes the user is familiar with Microsoft Windows 2000 Professional / XP / Vista / 7. If this is not the case, we suggest you learn more about Microsoft Windows by referring to your Microsoft Windows manual before using your scanner.

The Introduction section of this manual describes the box contents and minimum computer requirements to use this scanner. Before you start installing your scanner, check the box contents to make sure all parts are included. If any items are damaged or missing, please contact the vendor where you purchased your scanner or our customer service directly.

Chapter I describes how to install scanner's software and connect the scanner to your computer. Note: The scanner connects to your computer through the Universal Serial Bus (USB). If your computer does not support USB technology, you will need to purchase a USB interface card to add USB capabilities to your computer, or buy and install USB connectors if your motherboard has USB capabilities. This guide assumes that your computer is USB-ready and has a free USB port.

Chapter II describes how to use your scanner.

Chapter III describes how to maintain and clean your scanner.

Chapter IV contains technical support information that can help you solve simple problems.

Appendix A contains the specifications of the scanner you purchased.

Appendix B contains our customer service, the limited warranty agreement and FCC statement concerning the product.

CONVENTIONS OF THIS GUIDE

Bold — Represents commands or contents on your computer screen.

ALL CAPS — Important note or first use of an important term in a chapter.

Italic — Represents buttons on your scanner OR important notes.

A Note about Icons

This guide uses the following icons to point out information that deserves special attention.



Warning

A procedure that must be followed carefully to prevent injury, or accidents.



Attention

Instructions that are important to remember and may prevent mistakes.



Information

Optional tips for your reference.

SAFETY PRECAUTIONS



Warning

Before using this device, please read the following important information to eliminate or reduce any possibility of causing damage and personal injury.

1. Usage, the product is for indoor use in dry locations. Moisture condensation may occur inside this device and cause malfunction at these conditions:
 - when this device is moved directly from a cold to a warm location;
 - after a cold room is heated;
 - when this device is placed in a damp room.

To avoid the moisture condensation, you are recommended to follow the procedure:

- i. Seal this device in a plastic bag for it to adapt to room conditions.
 - ii. Wait for 1-2 hours before removing this device from the bag.
2. Do use the AC adapter and USB cable provided with the scanner. Use of other AC adapter and cables may lead to malfunction.
 3. Keep the space around the AC adapter clear in case you need to quickly unplug

the AC adapter during emergencies.

4. Damaged wire could cause fire or electrical shock. Keep the power cord straight and without being twisted, bended, or scraped.
5. Unplug this device if you don't need to use for a certain period of time, such as, during night or long weekend, to avoid any risks of causing fire.
6. Do not attempt to disassemble the scanner. There is danger of an electrical shock and opening your scanner will void your warranty.
7. Be sure not to bump or knock the scanner glass as it is fragile and could break.
8. Do not subject the scanner to excessive vibration. It may damage the internal components.

MINIMUM SYSTEM REQUIREMENTS¹

- PC with Intel Pentium®III 1G processor or compatible
- 256 MB RAM
- Available USB 2.0 port
- CD-ROM Drive or DVD-ROM Drive
- 800 MB Free Hard Disk Space
- Video card that supports 16-bit color or greater
- Operating System: Windows 2000 Professional, Windows XP Home (compatible), Windows XP Professional (compatible), Windows Vista, Windows 7

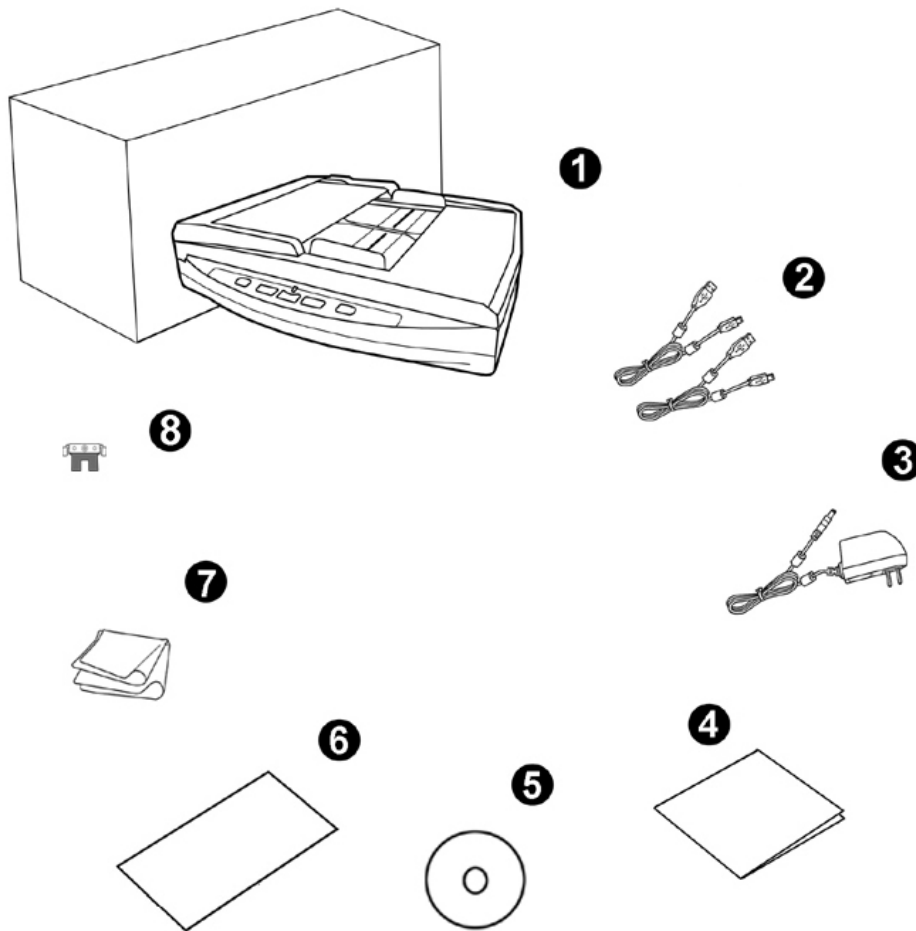


Information

Systems with Pentium®4 1.8G or higher processor (or its compatible), 512 MB RAM and 1GB free hard disk space are recommended for optimal performance.

¹ Higher requirements may be needed when scanning or editing large quantities of images. The system requirements stated are only a guideline, generally the better the computer (motherboard, processor, hard disk, RAM, video graphic card), the better the results.

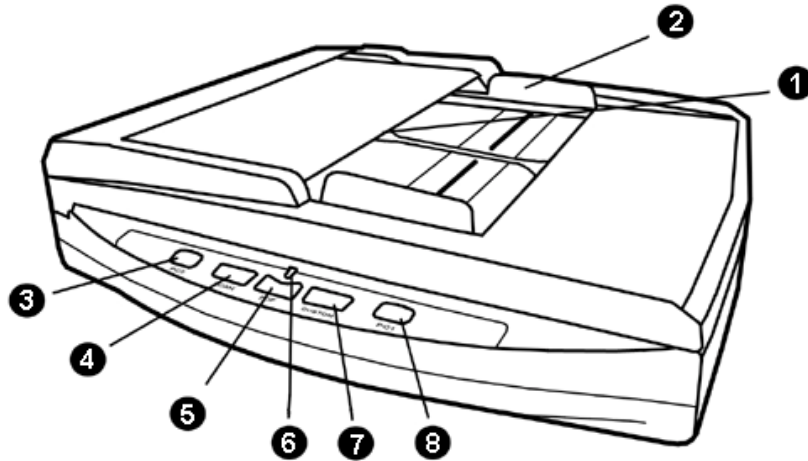
BOX CONTENTS²



1. Scanner
2. USB Cable x 2
3. AC Adapter
4. Quick Guide
5. Setup/Application CD-ROM
6. Calibration Sheet
7. Cleansing Cloth
8. Pad Module

² Save the box and packing materials in case you need to transport this scanner in the future.

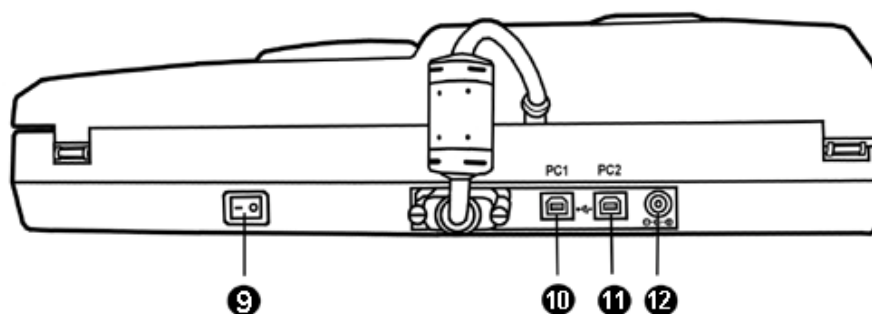
THE SCANNER FEATURES



1. ADF (AUTOMATIC DOCUMENT FEEDER)—Automatically feeds a stack of documents for scanning.
2. PAPER WIDTH SLIDER—Adjusts the paper width slider for the paper size you are using.
3. PC2 BUTTON—Press to enable the connection between the scanner and the computer 2.
4. SCAN BUTTON—Press to perform a predefined scanning task.
5. PDF BUTTON—Press this button to scan documents into PDF files.
6. POWER LED—Indicates the scanner status.

Light	Status
On	The scanner is turned on, ready to scan images.
Off	The scanner is off, either because the power is not turned on, or because the AC adapter is not properly plugged into an AC power outlet.

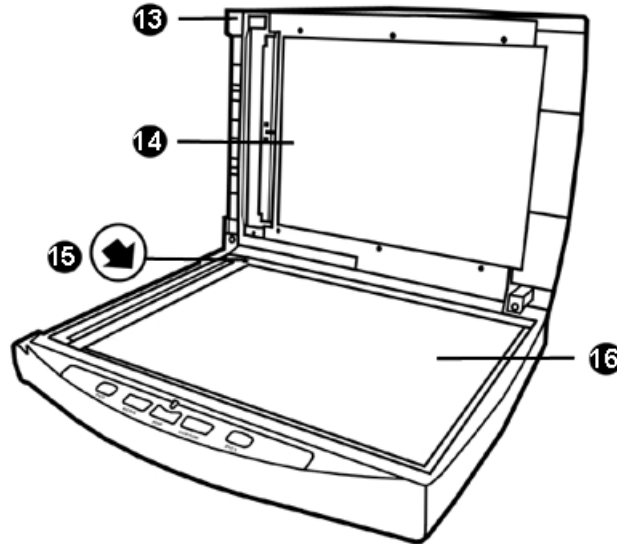
7. CUSTOM BUTTON—Press to perform a predefined scanning task.
8. PC1 BUTTON—Press to enable the connection between the scanner and the computer 1.



9. POWER SWITCH—Use this to turn the scanner ON or OFF.
10. PC1 USB PORT—Connects the scanner to a USB port on the computer 1 by the

included USB cable.

11. PC2 USB PORT—Connects the scanner to a USB port on the computer 2 by the included USB cable.
12. POWER RECEPTOR—Connects the scanner to a standard AC power outlet by the included AC adapter.



13. DOCUMENT COVER— Helps keep the paper in place and protects the scanner glass.
14. DOCUMENT PAD— Keeps the paper in place and improves accuracy of image quality.
15. REFERENCE MARK— Align your paper with this reference mark in case of flatbed scanning.
16. SCANNER GLASS— Where you put items for flatbed scanning.

CHAPTER I. INSTALLING THE SCANNER

Before installing your scanner, please verify that you have all of the proper components. A list of the package contents is provided in the “Box Contents” section of this guide.

SOFTWARE INSTALLATION REQUIREMENTS

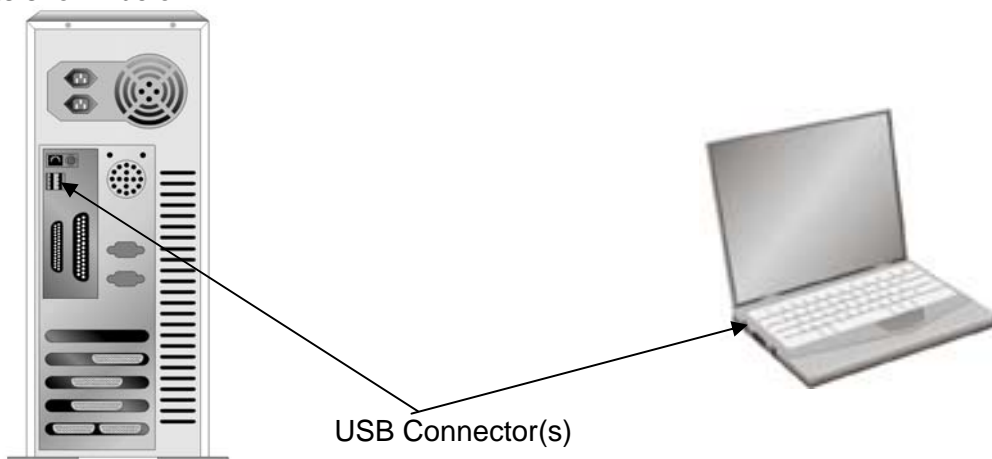
Your scanner comes with the image-editing software (NewSoft Presto! ImageFolio), OCR software (ABBYY FineReader Sprint Plus), Business card Recognition Software (HotCard BizCard Finder), document management software (NewSoft Presto! PageManager), the scanner’s driver, DocAction, and the image capture software (Plustek DI Capture). All of these software applications use approximately 800 megabytes of hard disk space after they are installed into your computer. To ensure ample room for the installation, as well as for scanning and saving images, a minimum of 1 GB of hard disk space is recommended.

This USB scanner can only operate under the Microsoft Windows 2000 Professional/ XP/ Vista/ 7 operating system.

HARDWARE REQUIREMENTS

This scanner connects to your computer through the Universal Serial Bus (USB), which supports HOT PLUG AND PLAY. To determine whether your computer is USB-capable, you must check the rear of your PC to locate a USB jack that looks like the picture below. If you are having trouble in locating the USB port on your computer, please refer to the hardware manual that came with your computer.

Upon examination, you should find one or two rectangular USB ports, which usually appear as shown below.



If you don’t find such USB ports on your computer, then you need to purchase a certified USB interface card to add USB capabilities to your computer.

INSTALLING AND SETTING UP THE SCANNER

Please follow the step-by-step procedures described below to install the Plustek scanner.

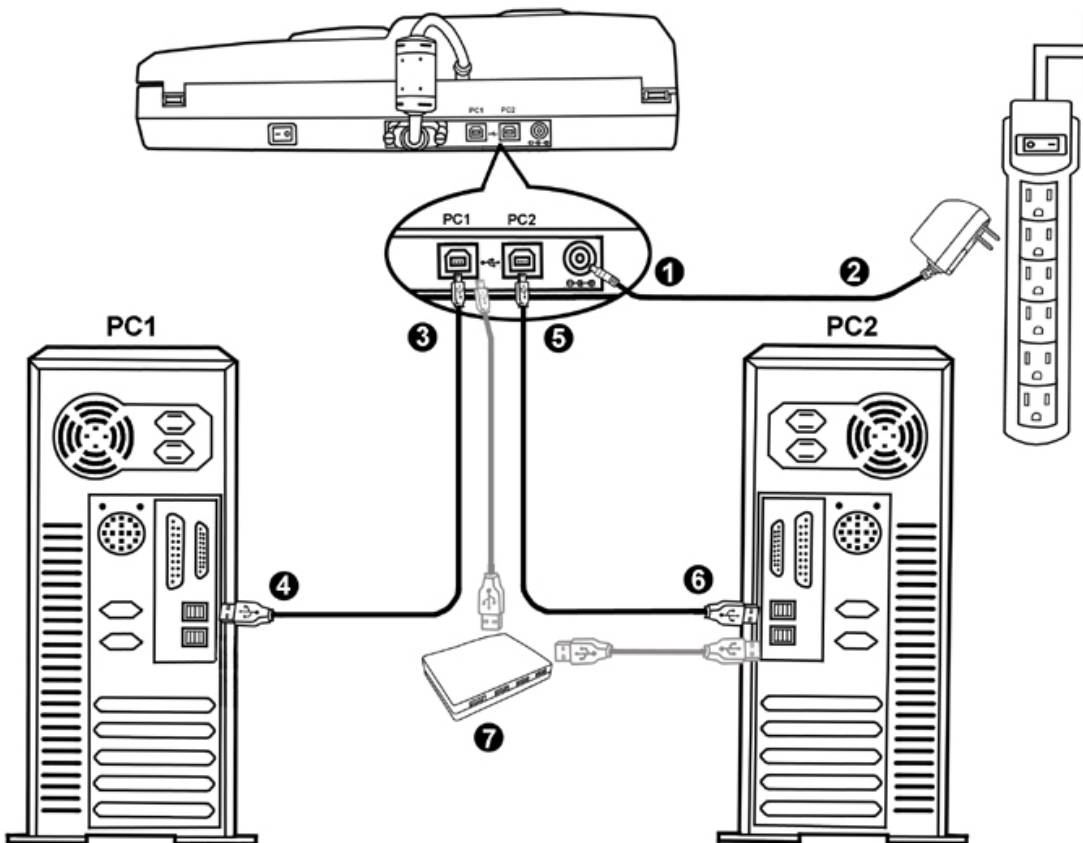
Choose a Proper Site First!

- Always place your scanner on a level, smooth and strong surface before proceeding the scanner setup or any scanning task. Tilted or uneven surface may cause paper-feeding errors, scanner damage or personal injury.
- Avoid using the scanner in a dusty environment. Dust particles and other foreign objects may damage the unit.





Attention

Step 1. Connecting the Scanner to Your Computer



Attention

Please make sure the scanner is turned OFF before you plug or unplug the scanner power adapter.

1. Plug the AC adapter into the scanner's power receptor.
2. Plug the other end of the AC adapter into a standard AC power outlet.
3. Plug the square end of the included USB cable to the PC1 USB port  at the rear of the scanner.
4. Plug the rectangular end of the USB cable to an available USB port on the computer 1.
5. Plug the square end of the included USB cable to the PC2 USB port  at the rear of the scanner.
6. Plug the rectangular end of the USB cable to an available USB port on the computer 2.
7. If you plan to connect your scanner to a USB hub³, make sure that the hub is connected to the USB port in your computer. Next, connect the scanner to the USB hub.

Step 2. Installing the Software

1. Switch on the scanner power from the rear of the scanner.



Attention

- Please press PC1 button on the scanner to activate the scanner connection before installing the software for computer 1.
- Please press PC2 button on the scanner to activate the scanner connection before installing the software for computer 2.

2. If the USB components on your computer are functioning correctly, they will automatically detect the scanner causing the **Add New Hardware Wizard** or **Found New Hardware Wizard** to be launched.



Information

If your computer is off when the scanner is connected, the "Add New Hardware Wizard" message will not be displayed until the computer is on and Windows starts.

3. For Windows 2000:
 - a. Click the **Next** button when the "Add New Hardware Wizard" window is displayed.
 - b. Select **Search for the Best Driver for Your Device [Recommended]** and click the **Next** button.
 - c. The next window will ask you where to search to find the drive. Select **CD-ROM drive**, and deselect **Floppy disk drives** if it is checked.

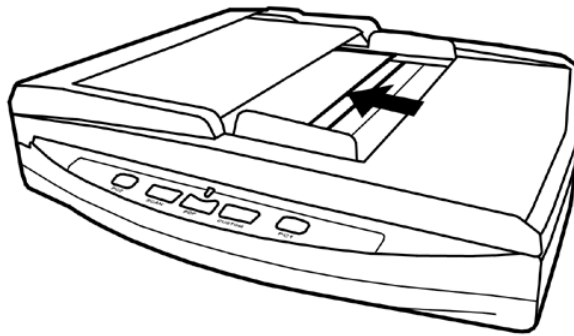


- d. Insert the Setup/Application CD-ROM, included with your scanner, into your CD-ROM drive and then click the **Next** button.

³ The USB hub is not included with the scanner.

- e. Click the **Next** button in the window that appears.
 - f. During the process of the installation, a message “Digital Signature required” might be prompted. Please ignore it, and click the **Yes** button to continue the installation without any misgiving at your scanner functioning. Afterwards, please skip to procedure 8.
4. For Windows XP:
 - a. Insert the Setup/Application CD-ROM, included with your scanner, into your CD-ROM drive.
 - b. Select **Install the software automatically recommended** and click the **Next** button.
 - c. Click the **Next** button in the window that appears. Afterwards, please skip to procedure 7.
 5. For Windows Vista:
 - a. Select “Locate and install driver software (recommended)” when the “Found New Hardware” window is displayed.
 - b. Click on the **Continue** button when the “User Account Control” dialog pops up.
 - c. Insert the Setup/Application CD-ROM, included with your scanner, into your CD-ROM drive when the system prompts you “Insert the disc that came with your USB Scanner” , and click on the **Next** button. Afterwards, please skip to procedure 8.
 6. For Windows 7:
 - a. Insert the Setup/Application CD-ROM, included with your scanner, into your CD-ROM drive. Close the **AutoPlay** window that appears.
 - b. From the Windows **Start** menu, right click on the **Computer** and select **Properties** from the pop-up menu. Click **Device Manager** on the following screen.
 - c. In the **Device Manager** window, right click on this scanner under **Other devices** item and select **Update Driver Software** from the pop-up menu. Click **Browse my computer for driver software** in the window that appears, and click the **Browse** button.
 - d. In the **Browse For Folder** window, select the folder or the CD-ROM drive that contains this scanner driver and click the **OK** button to return to the previous screen. Click the **Next** button. Afterwards, please skip to procedure 8.
 7. During the process of the installation, a message “Windows can’t verify the publisher of this driver software” might be prompted. Please ignore it, and click on [Install this driver software anyway] to continue the installation without any misgiving at your scanner functioning.
 8. When the system completes the installation, click the **Finish** button.
 9. Follow the on-screen instructions to install all software that your new scanner requires.
 10. After the software is installed, close all open applications and click the **Finish** button to restart your computer.
 11. After the computer is restarted, you will be prompted to perform the scanner calibration.

12. Insert the special calibration sheet into the ADF of the scanner.



13. Follow the on-screen instructions to complete the scanner calibration.

After the calibration is complete, click **OK** and then click **Finish**.




Information

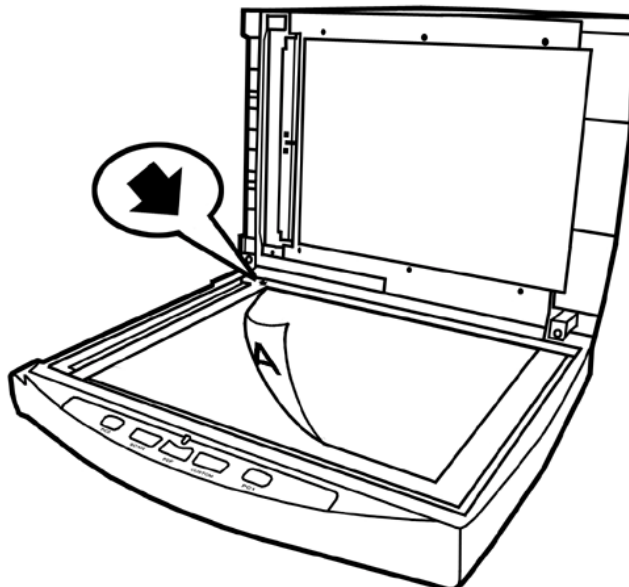
If the scanner installation is not started and displayed automatically on the screen, click **Start**, select **Run** and type in **D:\Install** (where D: is the drive letter assigned to the CD-ROM drive of your computer.)

Step 3. Testing the Scanner

The following describes how you can check if the scanner is properly functioning with your computer and the scanning software by performing your first scan with our bundled image-editing application NewSoft Presto! ImageFolio. Before testing your scanner, double check to make sure that all connections are securely fastened.

To test the flatbed scanning:

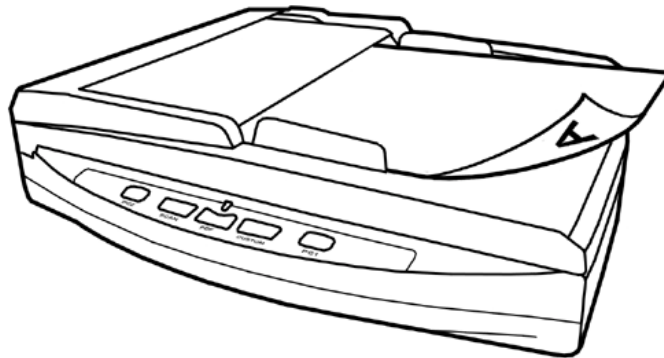
1. Open the scanner's document cover. Place a document face down onto the scanner glass and align the document top with the  reference mark.



2. Gently close the document cover.
3. Click the Windows Start button to launch NewSoft Presto! ImageFolio.
4. (If you have only one scanner connected with your computer, please skip to Step 5.)
If you have more than one scanner or other imaging device installed on your computer: Click **Select Source** from the **File** menu of Presto! ImageFolio and then choose this scanner as the default scanning source.
5. Within Presto! ImageFolio, click **File > Acquire > Acquire**.
6. In the TWAIN window that opens, select **Flatbed Reflective** as the Scan Type.
7. Click the **Scan** button.
8. If an image appears on your screen, your scanner is working properly.

To test the ADF scanning:

1. Load a document headfirst and face down into the ADF with the text side facing the paper chute. (For detailed instructions on loading paper into the ADF, please refer to the "Placing Documents" section.)



2. Click the Windows Start button to launch NewSoft Presto! ImageFolio.
3. (If you have only one scanner connected with your computer, please skip to Step 4.)
If you have more than one scanner or other imaging device installed on your computer: Click **Select Source** from the **File** menu of Presto! ImageFolio and then choose this scanner as the default scanning source.
4. Within Presto! ImageFolio, click **File > Acquire > Acquire**.
5. Select **ADF (Front Side)** as the Scan Type within the TWAIN window.
6. Click the **Scan** button.
7. The document in the ADF paper chute should be now loaded into the ADF and scanned. After this process, you should see a scanned image of the document on your screen.
8. Click **Exit** to exit the TWAIN window.

INSTALLING ADDITIONAL SOFTWARE

Your scanner is TWAIN compliant and functions with virtually all available TWAIN compatible software. If you purchase additional software to be used with your scanner, please make sure that it conforms to the TWAIN standard.

CHAPTER II. SCANNING

Your scanner needs to be driven by certain type of software program. Since all documents or images (whether text or pictures) that are acquired from the scanner are treated by your computer as images, most scanning will probably be done from an image-editing program where you can view, edit, save and output the scanned images. An image-editing program has been bundled for your scanner on the included Setup/Application CD-ROM. It will allow you to alter and correct any scanned images by using a variety of filters, tools and effects.

What about scanning text documents and editing them in a word processor? This is the role of Optical Character Recognition (OCR) software. OCR software converts the image files that are created from scanning text documents into text files that can be viewed, edited and saved by word processors. An OCR program has also been bundled on the included Setup/Application CD-ROM, and if you wish to use the scanner in this way you should install the OCR software that is included.

DI Capture, as its name suggests, is a specialized document image capture program that allows you to conveniently digitize your paper documents and automatically save their electronic files in the designated folder. If you are not familiar with scanning, no problem: the Scan Wizard will guide you through to complete each scanning task.

The DocAction program, seamlessly integrating the operation of your scanner with your computer and other peripherals, provides a quick and convenient way to perform various scanning functions. With DocAction, you don't need to adjust settings every time you scan. Simply press any button on the scanner's front panel or click any scanning menu item of DocAction on the screen. The scanner starts to scan your paper documents and transfer them to your assigned destination. The destination can be a printer, your E-mail program, files on your disk drives, an image-editing program, etc.

Please refer to the online help of each program to guide you through any questions you may have while scanning within that program.

This chapter describes three important steps of scanner operations. Read them thoroughly and follow the instructions to ensure correct use and optimal scanner performance.


- Step 1. Activating the Scanner Connection
- Step 2. Preparing Documents
- Step 3. Placing Documents, Placing Business Cards
- Step 4. Scanning Documents

ACTIVATING THE SCANNER CONNECTION


In order to accommodate operation flexibility, you may connect this scanner to two computers by the USB cables. Every time when you need to scan, you can choose one

of the computers to activate the scanner connection and then operate the scanner. This scanner features PC1 and PC2 buttons that allow you to switch the scanner connection between computer 1 and computer 2. You can activate the connection between the scanner and each computer by pressing either PC1 or PC2 button on the scanner.

To operate the scanner from computer 1, please press PC1 button on the scanner.

The icon  appears in the Windows system tray of the computer 1 and the light of PC1 button is on. The scanner connection between the scanner and the computer 1 is activated, ready to scan images.

To operate the scanner from computer 2, please press PC2 button on the scanner.

The icon  appears in the Windows system tray of the computer 2 and the light of PC2 button is on. The scanner connection between the scanner and the computer 2 is activated, ready to scan images.



Attention

- Make sure to activate the scanner connection between the scanner and the computer before you scan documents.
- DO NOT switch the scanner connection by pressing PC1 or PC2 button while the scanner is processing the scanning tasks.
- By default, when both computer 1 and computer 2 are connected to the scanner and powered on, only the scanner connection between the scanner and the computer 1 is activated and the light of PC1 button is on. When the scanner and PC1 are disconnected and the light of PC1 button is off, the scanner connection between scanner and PC2 is activated automatically and the light of PC2 button is on.

PREPARING DOCUMENTS

Proper document preparation prior to the scan can prevent paper feed errors and damages to the scanner.


- Checking Document Conditions
- Loosening Documents

Checking Document Conditions

Make sure the size and ream weight of your documents are acceptable by the scanner. Refer to “Appendix A: Specifications” of this guide for more information.

To scan multiple documents in a batch from the ADF can increase your work efficiency and make large scanning tasks easier. The ADF of this scanner accepts a variety of paper and stationery you may use in your daily work or personal life, such as:

- Normal paper whose size and ream weight meet the requirements stated in “Appendix A: Specifications” of this guide.
- Notched paper
- Coated paper (e.g., brochure)
- Overhead projector film




Attention

To prevent paper feeding errors and damages to the ADF unit, strictly follow the instructions below:

- Remove all small objects e.g., paper clips, pins, staples or any other fasteners attached, before loading the paper into the ADF.
- Make sure the paper is completely flat with no creased or curled corners.
- Avoid scanning documents with pencil lead and newspaper clippings as they will make the ADF exposure glass and the inner ADF dirty. If you have to scan such paper, clean the scanner frequently (refer to “Chapter III. Care and Maintenance” of this guide for more information).
- The paper for each batch scanned by ADF can be of the same or different weights. However, make sure the length of each scan batch is the same.

However, use the flatbed to manually scan documents if they meet any of the following conditions:

- Paper lighter than 50 g/m² (14 lb.) or heavier than 120 g/m² (32 lb.)
- Paper with clips or staples attached
- Paper with inconsistent thickness, e.g., envelopes
- Paper with wrinkles, curls, folds, or tears
- Paper with an odd (non-rectangular) shape
- Tracing paper
- Carbon paper, pressure sensitive paper, carbonless paper
- Items other than paper, e.g., cloth, metal foil.



Attention

- DO NOT use the ADF to scan photographic sheets or particularly valuable document originals; wrinkles or other damages can happen in case of paper feeding errors.
- DO NOT place paper with wet ink or correction fluid onto the flatbed glass or into the ADF. Wait few minutes for it to get dry.

Loosening Documents (for ADF Scan)

Before loading documents into the ADF, loosen them as follows:


1. Fan the documents so that no two pages are sticking together.
2. Hold the documents upside down with both hands, and then gently push them onto a flat surface to align the edges of all documents.

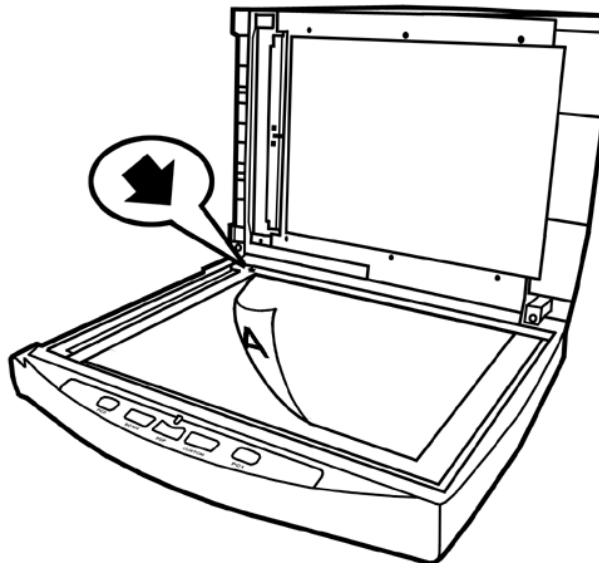


This will allow documents being fed into the ADF one at a time and prevent paper-feeding errors.

PLACING DOCUMENTS

Using the Flatbed

1. Open the scanner's document cover.
2. Place a document face down onto the scanner glass and align the document top with the  reference mark.



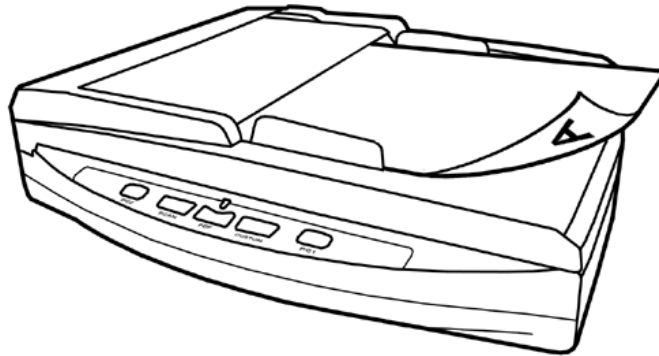
3. Gently close the document cover.

Using the ADF

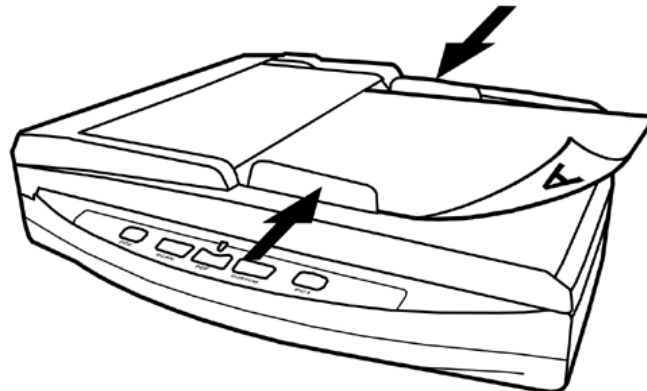
1. Load the documents, headfirst and face down, toward the center of the ADF paper chute and all the way into the ADF until touching the bottom.

For single-sided scans, load the documents face down so that the side to be scanned faces towards the paper chute.

For double-sided scans, load the desired page order of documents face down so that the side to be scanned faces towards the paper chute.



2. Adjust the paper width slider for the paper size you are using. The paper width slider should be gently touching both sides of the documents.



Attention

- DO NOT load more than 50 sheets of paper (70 g/m², 18 lb.) to the ADF.
- Paper scanned from the ADF must be a minimum of 9 x 5.08 cm (3.55" x 2", W x L).
- Make sure there are no gaps between the document stack and the paper-width slider; otherwise, the scanned images can be skewed.
- Although the documents should be loaded firmly in place ensuring optimum scanning accuracy, they should never be wedged in so tightly that the process of feeding them through the scanner is strained.
- Do not load additional paper into the ADF

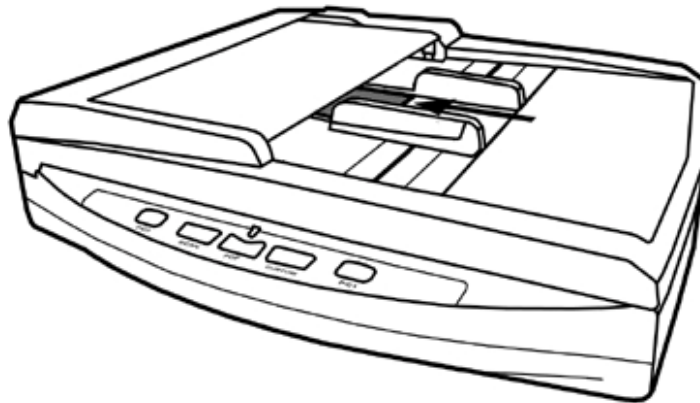
while the unit is feeding and scanning.

PLACING BUSINESS CARDS

1. Vertically load the business cards, headfirst and face down, toward the center of the ADF and all the way into the ADF until touching the bottom.

For single-sided scans, load the business cards face down.

For double-sided scans, load the business cards in desired order.



2. Adjust the paper width slider to the business card width. The paper width slider should be gently touching both sides of the business cards.



Attention

Don't load more than 10 business cards in one batch.

SCANNING DOCUMENTS

There are four different ways to operate the scanner:

1. By acquiring images from the scanner through our TWAIN interface within any TWAIN-compliant application programs.
2. By scanning images within our DI Capture software.
3. By scanning from the buttons on the scanner front panel.
4. By scanning from DocAction's Execute menu on the screen.


The TWAIN interface, DI Capture and DocAction software is automatically installed to your system along with the scanner driver.



Attention

Before you start scanning, check the following:

- The power of both your computer and scanner is turned on.

- The icon  appears on the Windows system tray.
- Paper is appropriately placed on the scanner flatbed glass or loaded into the ADF.
- Close the ADF cover by pushing it back down until it snaps back into place. The scanner can not scan properly when the ADF cover is not closed.

Scanning via TWAIN Interface

The TWAIN program is a very important piece of software that comes with your scanner. This program acts as an interface between the scanner hardware and the image-editing software you are using to view and edit images. The TWAIN program allows you to adjust a number of settings to define the quality of the scanned image.

The following describes how you may use our bundled image-editing application (NewSoft Presto! ImageFolio), OCR software (ABBYY FineReader Sprint Plus) and Business card Recognition Software (HotCard BizCard Finder) to scan via TWAIN interface. When you get familiar with the scanning, you may alternatively use other TWAIN compatible scanning program or image-editing application to do your scanning projects.

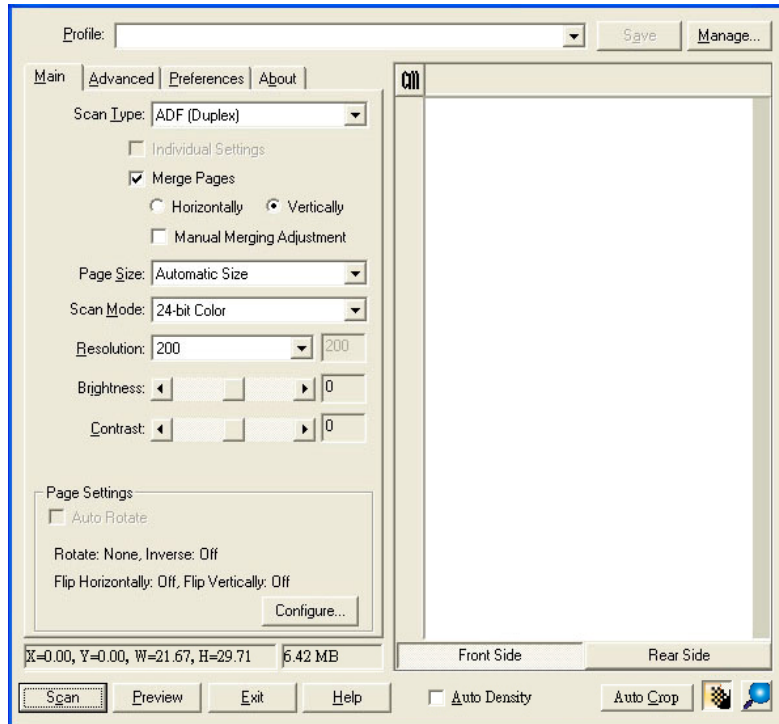
Select the Scan Source:

If you have more than one scanner or other imaging devices installed on your computer, you need to set this scanner as the default scanning source before you acquire TWAIN program.

1. For NewSoft Presto! ImageFolio: From the File menu, click **Select Source**.
For ABBYY FineReader Sprint Plus: From the File menu, click **Select Scanner....**
For HotCard BizCard Finder: From the Main Toolbar, click **Settings > Acquire Options > Flatbed/TWAIN Scan**, and then click **Settings > Acquire Options > Select Flatbed/TWAIN Scanner**.
2. In the window that opens, choose this scanner and then click the **OK** button to set this scanner as the default scanning source.

Scan within NewSoft Presto! ImageFolio:

1. Click the Windows Start button to launch Presto! ImageFolio.
2. Within Presto! ImageFolio, click **File > Acquire > Acquire**.
3. In the TWAIN window that opens, select **Flatbed Reflective** or **ADF (Front Side)** as the Scan Type if you want to scan single-sided documents, or select **ADF (Duplex)** to scan double-sided documents.



- Adjust the scanning settings. For **ADF (Duplex)** scan, you can tailor settings individually for front and rear sides of the documents. Click **Front Side** button to adjust the scanning settings of document front side and then click **Rear Side** button to adjust the scanning settings of document rear side.

You can enable the function of **Merge Pages** only when you select **ADF (Duplex)** as **Scan type** and **Automatic Size** as **Page Size** to output the scan images of both front and rear sides in one image. After the function of **Merge Pages** is enabled, you can make the selection of **Horizontally** to generate both front and rear image data horizontally in a joined image (the rear image will be placed at the right side next to the front image), or make the selection of **Vertically** to generate both front and rear image data vertically in a joined image (the rear image will be placed below the front image).

- Load one page of the document and click the **Preview** button. The scanned image should appear in the Preview Window. To define the margins and crop out sections of the image you don't want scanned, use the mouse to click and drag the corners or sides of the scan area borders. Adjust the scan settings again if the preview image doesn't satisfy your needs.
- Load all pages of the document and click the **Scan** button.
- When the scan finishes, click the **Exit** button to close the TWAIN window. The scanned images are displayed in Presto! ImageFolio, and you may perform the image editing tasks.

Click the **Help** button within the TWAIN window for more information about the settings.



Scan within ABBYY FineReader Sprint Plus:

1. Click on the Windows Start button, point to **All Programs > ABBYY FineReader Sprint Plus** and then click **ABBYY FineReader Sprint Plus** to launch the FineReader program.
2. To scan one page from the flatbed glass:



Click  and then click **Scan Image** from its drop-down menu.

To scan multiple pages from the ADF:



Click  and then click **Scan Multiple Images** from its drop-down menu.

3. In the TWAIN window that opens, select **Flatbed Reflective** or **ADF (Front Side)** as the Scan Type if you want to scan single-sided documents, or select **ADF (Duplex)** to scan double-sided documents.
4. Adjust the scanning settings. For **ADF (Duplex)** scan, you can tailor settings individually for front and rear sides of the documents. Click **Front Side** button to adjust the scanning settings of document front side and then click **Rear Side** button to adjust the scanning settings of document rear side.
You can enable the function of **Merge Pages** only when you select **ADF (Duplex)** as **Scan type** and **Automatic Size** as **Page Size** to output the scan images of both front and rear sides in one image. After the function of **Merge Pages** is enabled, you can make the selection of **Horizontally** to generate both front and rear image data horizontally in a joined image (the rear image will be placed at the right side next to the front image), or make the selection of **Vertically** to generate both front and rear image data vertically in a joined image (the rear image will be placed below the front image).
5. Load one page of the document and click the **Preview** button. The scanned image should appear in the Preview Window. To define the margins and crop out sections of the image you don't want scanned, use the mouse to click and drag the corners or sides of the scan area borders. Adjust the scan settings again if the preview image doesn't satisfy your needs.
6. Load all pages of the document and click the **Scan** button.
7. The scanned images are displayed in the FineReader main window, and you may proceed OCR to convert images into pdf or editable text formats.




Information

- If you usually scan images with the same settings, you can define a scan profile to save the settings you have configured by entering a name or description for this new profile in the white area beside the word **Profile** and then click the **Save** button.
- Next time when you want to scan similar documents and apply the same settings, you can just select this profile from the drop-down list and then click the **Scan** button.

Click the **Help** button within the TWAIN window for more information about the settings.

Scan within HotCard BizCard Finder:

1. Click on the Windows Start button, point to **All Programs > Business card Recognition Software** and then click **Business card Recognition Software** to launch the Business card Recognition Software.
2. Within Business card Recognition Software, click **Scan**  from the main toolbar.
3. In the TWAIN window that opens, select **Flatbed Reflective** or **ADF (Front Side)** as the Scan Type if you want to scan single-sided business cards, or select **ADF (Duplex)** to scan double-sided business cards.
4. Adjust the scanning settings (Paper Size: Automatic Size, Resolution: 300). For **ADF (Duplex)** scan, you can tailor settings individually for front and rear sides of the business cards. Click **Front Side** button to adjust the scanning settings of front side and then click **Rear Side** button to adjust the scanning settings of rear side.

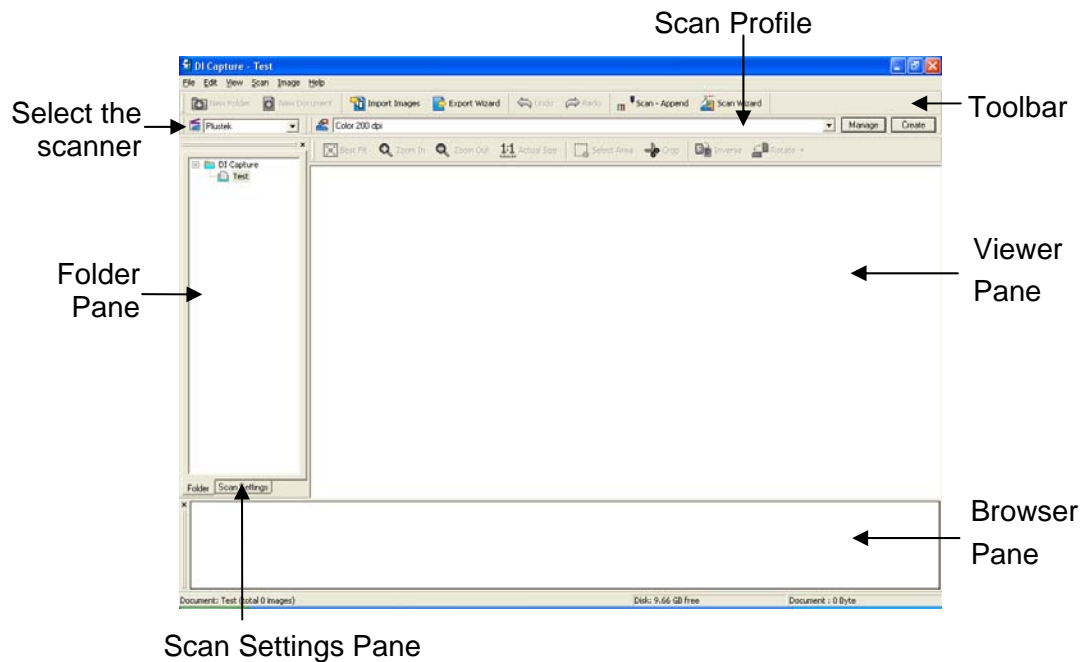
You can enable the function of **Merge Pages** only when you select **ADF (Duplex)** as **Scan type** and **Automatic Size** as **Page Size** to output the scan images of both front and rear sides in one image. After the function of **Merge Pages** is enabled, you can make the selection of **Horizontally** to generate both front and rear image data horizontally in a joined image (the rear image will be placed at the right side next to the front image), or make the selection of **Vertically** to generate both front and rear image data vertically in a joined image (the rear image will be placed below the front image).

5. Load one business card and click the **Preview** button. The scanned image should appear in the Preview Window.
6. Load all business cards and click the **Scan** button.
7. The scanned images are displayed in the BizCard Finder main window, and you may proceed OCR to convert images into editable text formats.

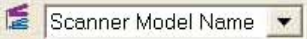
Click the **Help** button within the TWAIN window for more information about the settings.

Scanning from Plustek DI Capture Program

1. Click the Windows Start button to launch DI Capture.



Scan Settings Pane

2. Within DI Capture, select this scanner from the drop-down list of .
3. Select a document from the **Folder Pane** to store the scanned images. (To create a new folder and/or a new document, click the **New Folder** and/or **New Document** button from the toolbar.)
4. Select an appropriate scan profile. (You may click the tab of **Scan Settings Pane** to check if the current settings of the selected scan profile meet your needs. If not, you may click the **Create** or **Manage** button beside the Scan Profile to create a new profile or modify an existing profile.)
5. Click the **Scan – Append** button from the toolbar.
6. When the scan finishes, all scanned images are displayed on the **Browser Pane**. The last scanned image appears on the **Viewer Pane**.

Alternatively you may click the **Scan Wizard** button from the toolbar to let Scan Wizard guide you through the entire scan process.

You may also tailor your own user interface of DI Capture such as the toolbar buttons, Viewer Pane, Browser Pane, etc.

Refer to the online help of DI Capture to explorer more about DI Capture!



Scanning from the Scanner's Front Panel or On-screen DocAction's Execute Menu

The settings for each button on the scanner's front panel are configured through DocAction. DocAction offers you quick access to the most frequently-used scanning functions. They are especially useful when you need to repeatedly scan with the same settings and send images to the same destination.

Buttons on the scanner front panel will be used in this guide to demonstrate the scanner operations. You may also use DocAction's on-screen Execute menu to perform the same scanning tasks.

Configure Button Settings

Before performing your first scan via scanner buttons, you are recommended to configure the button settings to your needs and preferences first. There are two ways to configure or view the button settings of DocAction:

- Double-click the icon  in the Windows system tray.
- Right-click the icon  in the Windows system tray, and then choose **Button Configuration...** in the pop-up menu that opens.


Within the “Button Configuration” window, you can find a row of icons running through the left side of the window. Each icon corresponds to a single-touch button on your scanner's front panel (as well as DocAction's on-screen Execute menu). Clicking any icon on the left pane and its current button settings are displayed immediately on the right pane. You may adjust the settings as desired.

Click the **Help** button within the Button Configuration window for more information about the settings.

Scan Using the Buttons


Scanning documents or images from this scanner is very easy. Follow the two steps described below:

1. Place the document or images onto the scanner. (Refer to “Chapter II. Scanning” of this guide for more information in placing paper into the ADF or on the flatbed glass properly.)




Place only text documents for OCR purposes.
Do not scan a photo using the OCR button.

Attention

2. Do one of the following to start scanning:
 - Press the button from the scanner's front panel.
 - Right-click the icon  in the Windows system tray, and then choose Execute in the pop-up menu that opens. Click the desired button function item in the pop-up menu.

The scanner starts to scan immediately and carry out the corresponding action according to the settings you have set up in the Button Configuration window.



When you scan by the OCR button of DocAction program, in each batch you can scan up to either 50 sheets of paper for single-sided scans or 25 sheets of paper for double-sided scans because of the limit from ABBYY FineReader 6.0 Sprint Plus.

CHAPTER III. CARE AND MAINTENANCE

Your scanner is designed to be maintenance-free. However, constant care and maintenance can keep your scanner working smoothly.

CLEANING THE SCANNER

Paper powder, dust, ink and toner from paper being scanned may make the scanner glass and the inner ADF dirty, which leads to poor image quality or document-feeding errors. How often to clean your scanner depends on the type of paper and number of pages being scanned.

Perform the following procedures to clean the scanner surface, scanner glass and the ADF unit. Gently wipe locations described herein. Do not rub too hard.



Warning

- Before cleaning the scanner, turn off the scanner and disconnect the scanner's power cable and USB cable, and then wait a few minutes for the glass and/or the inner ADF to cool to ambient temperature.
- Wash your hands with soap and water after cleaning the scanner.

Cleaning Materials

Have the following cleaning materials ready to clean the scanner:

- **soft, dry, lint-free cloth (or a cotton swab)**
- **non-abrasive cleaner**—Isopropyl alcohol (95%). **DO NOT** use water.



Attention

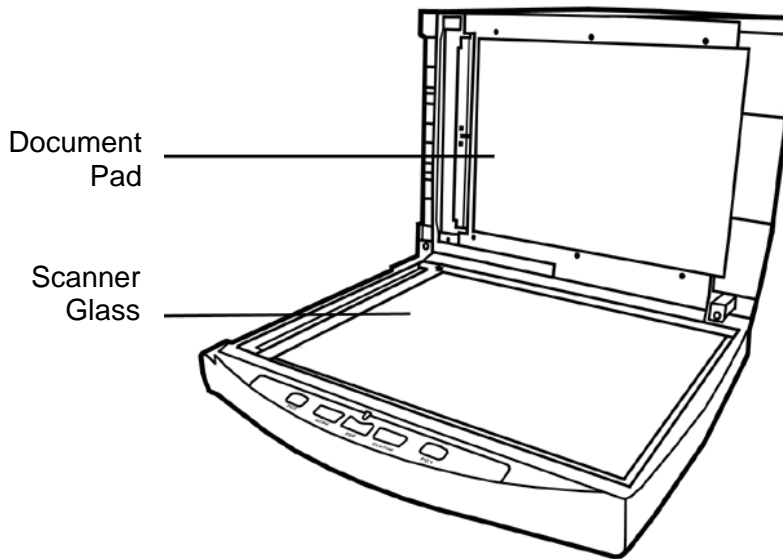
- Alternatively you can use glass cleaner or neutral detergent for windows cleaning to clean the scanner glass.
- However, **DO NOT** use either of them to clean the ADF feed roller or pad module.

Use of other cleaning materials could damage your scanner.

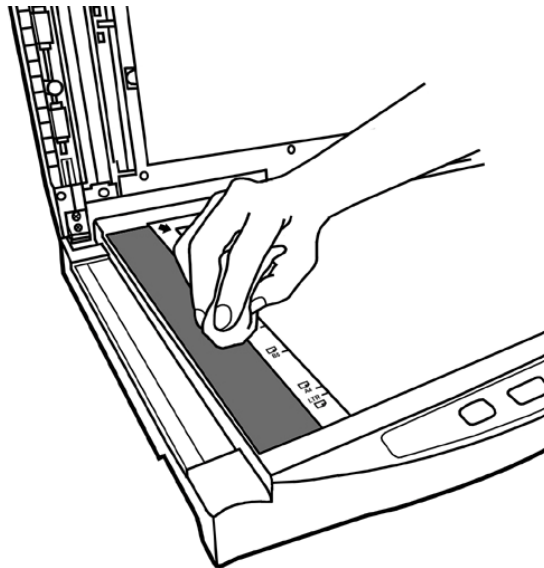
Cleaning the Flatbed

1. Open the document cover.
2. Gently wipe the following areas with the cloth dampened with the cleaner.

Clean Document Pad & Scanner Glass:



Clean ADF Exposure Glass:



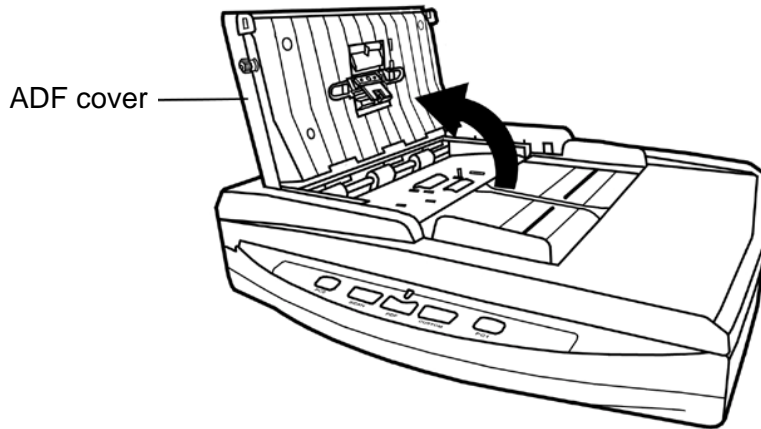
Attention

Do not spray cleaner directly onto the scanner glass. Excess liquid residue may fog or damage the scanner.

3. Wait for cleaned areas to dry completely.
4. Gently close the document cover.

Cleaning the ADF

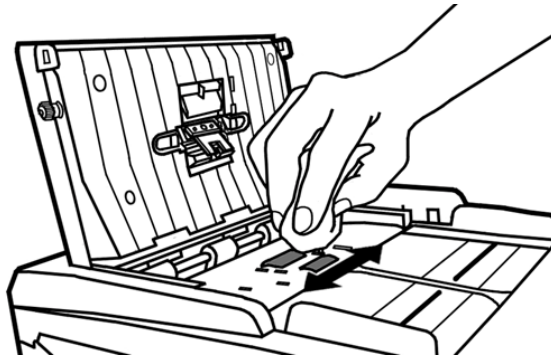
1. Open the ADF cover by pulling the cover.



2. Gently wipe the following areas with the cloth dampened with the cleaner. Be careful NOT to scratch their surfaces.

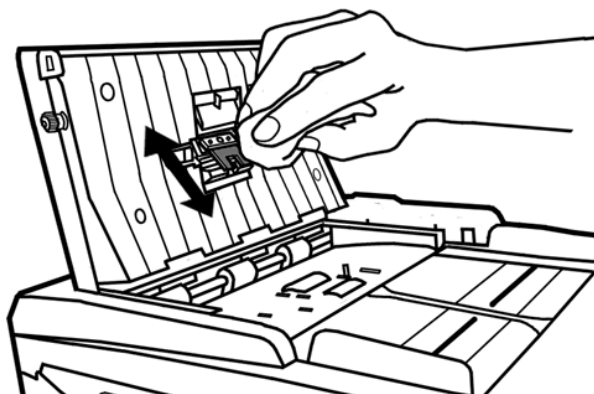
Clean Feed Roller:

Wipe the Feed Roller from side to side and then rotate it. Repeat this until its entire surface is cleaned.



Clean Pad Module:

Wipe the Pad Module from top to bottom (in the direction of arrow shown in below picture). Be careful not to damage the pick springs of the pad.

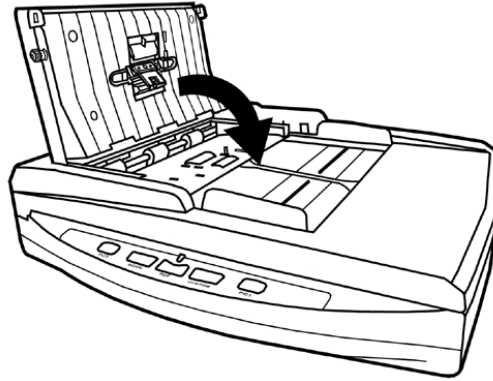




Attention

Do not spray cleaner directly onto the scanner glass. Excess liquid residue may fog or damage the scanner.

3. Wait for cleaned areas to dry completely.
4. Close the ADF cover by pushing it back down until it snaps back into place.

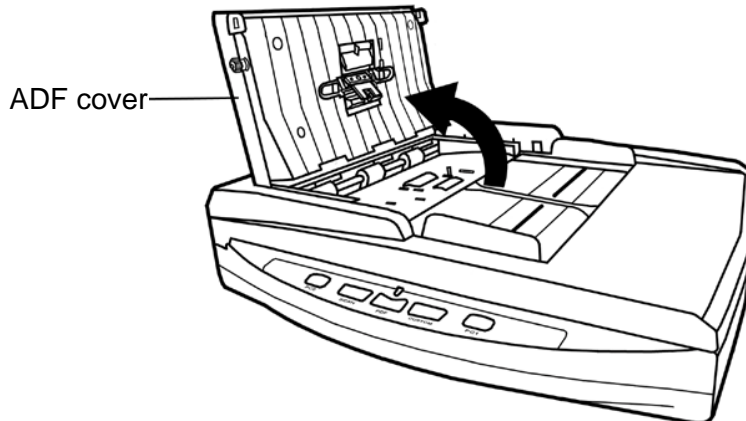


REPLACING CONSUMABLES

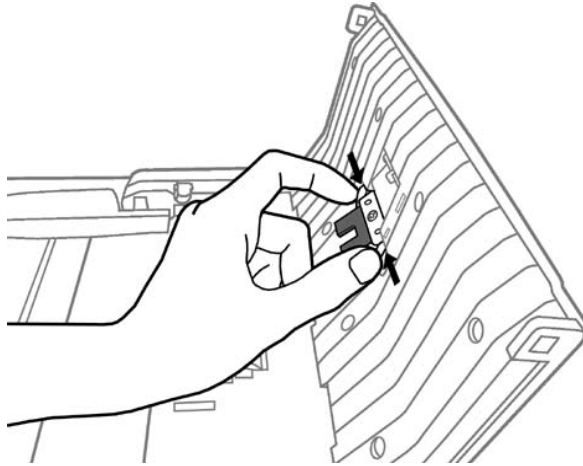
As a guideline, it is recommended to replace the pad module every 25000 sheets of scans.

Replacing the Pad Module

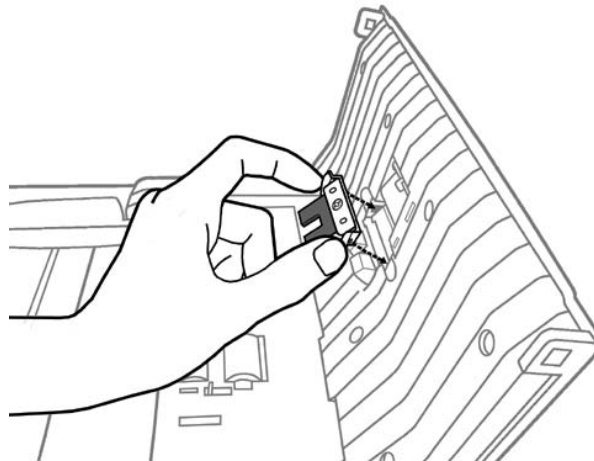
1. Open the ADF cover by pulling the cover.



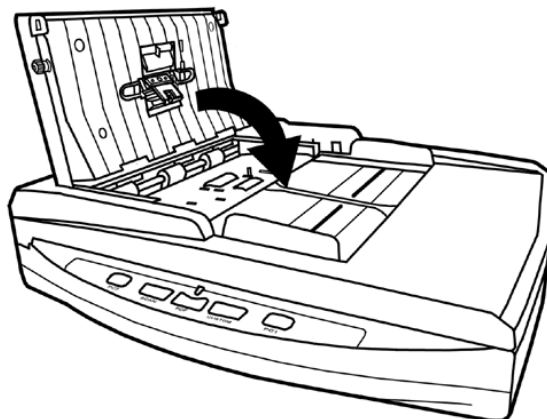
2. Remove the pad module by pinching both sides of the pad module and pull it out.



3. Install the new pad module by inserting the tabs on the module onto their slots on the scanner.



4. Close the ADF cover by pushing it back down until it snaps back into place.

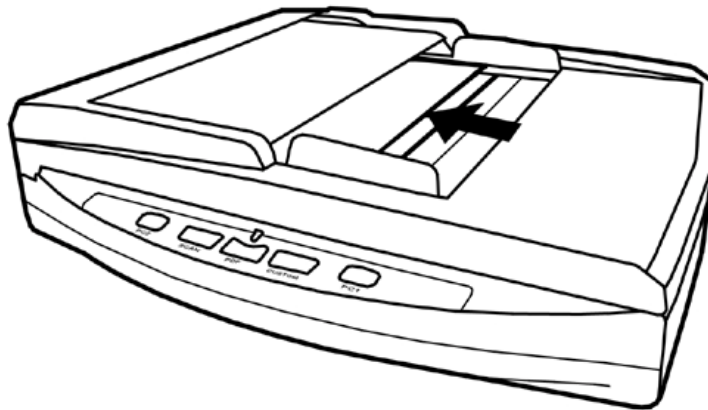


CALIBRATING THE SCANNER

Calibrate the scanner if colors appear in areas that should be white, or colors of the scanned image and the original vary a lot. This allows you to adjust and compensate for variations that can occur in the optical component over time by its nature.

The following describes how to calibrate the scanner:

1. The Calibration Sheet is used specially for **ADF Scanning** calibration.
2. Insert the special calibration sheet into the ADF of the scanner.



Attention

Please insert the special calibration sheet included with the scanner. Alternatively you may also use any plain white sheet of paper sized in A4 (216 by 297 mm) instead; however, the calibration effect may be less good than the special calibration sheet.

3. Click **Start** > **All Programs** > **Your scanner model name** > **Calibration Wizard**.
4. Click **Next** from the Calibration Wizard that pops up and then click **Calibrate Now....** Start to begin the Flatbed Reflective calibration process. After the calibration is complete, click **OK**.
5. Click **Calibrate Now....** Click on the **Start** button to begin the ADF calibration process.
6. The scanner pulls the calibration sheet through the scanner, which completes this scanner calibration. After the calibration is complete, click **OK** and then click **Finish**.

POWER SAVE

To save power consumption, the scanner light source always automatically turns itself off after the scanning process is finished. If the scanner will not be used for a long


period of time, shut down the scanner and then disconnect the power cable from the power outlet.



CHAPTER IV. TROUBLESHOOTING

If you encounter problems with your scanner, please review the installation and scanning instructions contained in this guide.

Before you ask for customer service or repair, please refer to the information in this chapter and consult our FAQ (Frequently Asked Questions) in which you can find useful self troubleshooting information. From the Windows **START** menu, point to **All Programs > Your Scanner Model Name**, and then click **FAQ**.

SCANNER CONNECTION

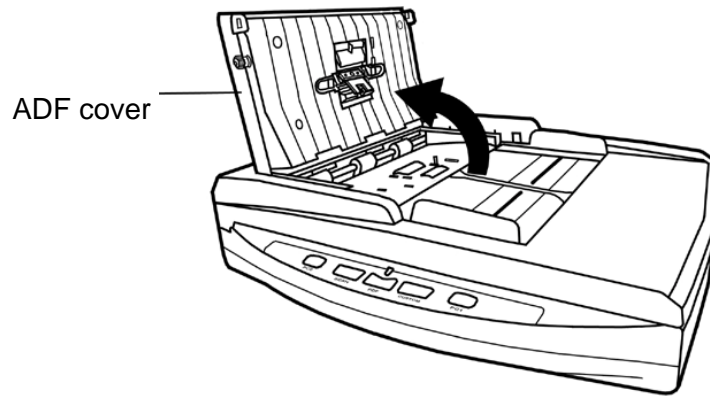
The first step to take when troubleshooting connection problems with your scanner is to check all physical connections. The icon , located on the Windows system tray, indicates if the scanner software is properly launched and the scanner and computer are communicating with each other.

Appearance	Status
	The program has been successfully launched, the scanner is connected with the computer and the scanner connection is activated, ready to scan images.
	The scanner is not connected with the computer, the scanner connection is not activated or the scanner power is not switched on.
No Display	You have chosen to terminate the program, no matter the scanner is connected or disconnected with the computer.

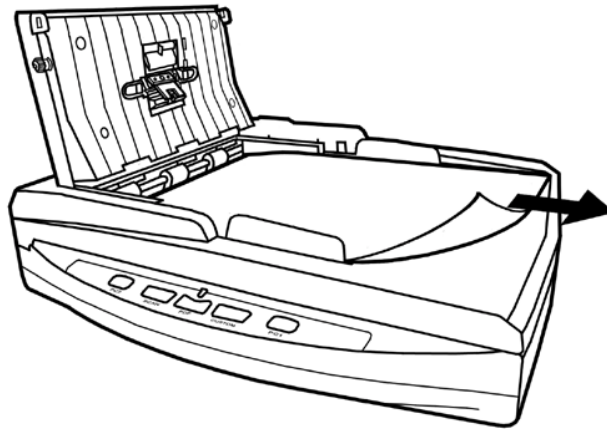
CLEARING PAPER JAMS

If a paper jam in the ADF happens, please perform the following steps:

1. Remove any unjammed documents still loaded into the ADF.
2. Open the ADF cover by pulling the cover.



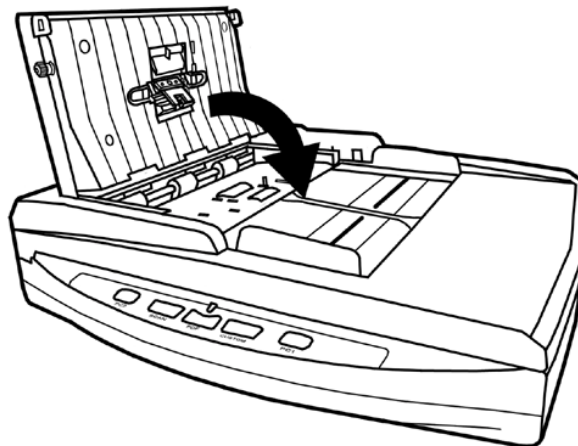
3. Gently but firmly pull the jammed documents out of the ADF. Try to avoid creasing or wrinkling the documents.



Attention

Do not try to pull jammed or half-scanned documents out of the ADF without first opening the ADF cover. Doing so may permanently damage the ADF.

4. Close the ADF cover by pushing it back down until it snaps back into place.



APPENDIX A: SPECIFICATIONS⁴

	Plustek SmartOffice PL1530
Optical Resolution	600 dpi
Max. Hardware Resolution	Flatbed: 600 x 1200 dpi ADF: 600 x 600 dpi
Scan Modes	Color: Input 48-bit; Output 24-bit Grayscale: Input 16-bit; Output 8-bit Black & White: 1-bit
Technology	Color Contact Image Sensor (CIS)
ADF Capacity	50 sheets (A4/Letter, 70 g/m ² or 18 lb.) Note: Maximum ADF capacity varies, depending upon paper weight.
ADF Scanning Speed	9 ppm/10 ipm (200 dpi, Color mode, A4 Portrait) 15 ppm/30 ipm (200 dpi, Grayscale mode, A4 Portrait) 15 ppm/30 ipm (200 dpi, B & W mode, A4 Portrait) Note: Results may vary depending upon your scanning application, computer processor and system memory.
Scan Area (W x L)	Flatbed: Maximum 216 x 297 mm (8.5" x 11.69") Minimum 12.7 x 12.7 mm (0.5" x 0.5") ADF: Maximum 220 x 356 mm (or 8.66" x 14") Minimum 12.7 x 12.7 mm (0.5" x 0.5")
Acceptable Paper Sizes (W x L)	Flatbed: Up to A4/Letter size (8.5" x 11.69") ADF: Maximum 220 x 356 mm (or 8.66" x 14") Minimum 90 x 50.8 mm (or 3.55" x 2")
Acceptable Paper Weight for ADF	50 to 120 g/m ² (or 14 to 32 lb.)
Daily Duty Scan (Sheets)	1000
Power Adapter	External Switching Power Adapter Full Range Input voltage/frequency: 100Vac – 240Vac (-10 % to +10 %), 50 to 60 Hz Output voltage: 24Vdc, 0.75 A
Interface	USB 2.0 High Speed
Operating Temperature	5°C to 40°C (41°F to 104°F)
Relative Humidity	20% to 80% (non-condensing)
Physical Dimensions (WxDxH)	418 x 326 x 101 mm (16.45" x 12.83" x 4")

⁴ Hardware specifications may change at any time without prior notice.

Weight	3.78 Kgs (10.1 lb.)
Protocols	TWAIN Compliant
EMI	FCC Class B, CE
Environment Requirement	WEEE/ ROHS

APPENDIX B:

CUSTOMER SERVICE AND WARRANTY

For further assistance, visit our website or call our customer support phone number listed on the last page of this guide. One of our representatives will be happy to assist you from Monday through Friday in office working hours.

To avoid delays, please have the following information available before calling:

- Scanner name and model number
- Scanner serial number (Located at the bottom of the scanner)
- Scanner CD version and part number
- A detailed description of the problem
- Your computer manufacturer and its model number
- The speed of your CPU
- Your current operating system and BIOS (optional)
- Name of software package(s), version or release number and manufacturer of the software
- Other USB devices installed

SERVICE & SUPPORT INFORMATION

Where appropriate, the period of availability of spare parts and the possibilities of upgrading products information. Please ask local distributors and suppliers for spare parts information and product upgrade information.

Information requested by relevant Implementing Measure. Please ask local distributors and suppliers for the related information of Implementing Measure test report.

Do not dispose anything of products before you ask local distributors and suppliers to get correct information for decreases of environmental impact with right methods and procedures.

If you want to disposals the product and/or an accessory, please ask local distributors and suppliers to get the contact information of nearest disposal manufactures.

If you have any maintenance inquiry, please ask local distributors and suppliers to get the contact information of nearest maintenance center in order to extend the product usage life time.

If you want to maintain and clearance the product, please ask local distributors and suppliers to get the right information of nearest stores.

STATEMENT OF LIMITED WARRANTY

This Statement of Limited Warranty applies only to the options you originally purchase for your use, and not for resale, from an authorized reseller.

The manufacturer warranty includes all parts and labor, and is not valid without the receipt of original purchase. To obtain warranty service, you may contact the authorized dealer or distributor, or visit our website to check out the available service information, or send a request via E-mail for further help.

If you transfer this product to another user, warranty service is available to that user for the remainder of the warranty period. You should give your proof of purchase and this statement to that user.

We warrant that this machine will be in good working order and will conform to its functional descriptions in the documentation provided. Upon provision of proof of purchase, replacement parts assume the remaining warranty of the parts they replace.

Before presenting this product for warranty service, you must remove all programs, data and removable storage media. Products returned without guides and software will be replaced without guides and software.

This Limited Warranty service does not provide for carry-in exchange when the problem results from accident, disaster, vandalism, misuse, abuse, unsuitable environment, program modification, another machine or non-vendor modification for this product.

If this product is an optional feature, this Limited Warranty applies only when the feature is used in a machine for which it was designed.

If you have any questions about your Limited Warranty, contact the approved retailer from whom you bought the product or the manufacturer.

THIS LIMITED WARRANTY REPLACES ALL OTHER WARRANTIES, EXPRESS OR IMPLIED, INCLUDING, BUT NOT LIMITED TO, THE IMPLIED WARRANTIES OF MERCHANTABILITY AND FITNESS FOR A PARTICULAR PURPOSE. HOWEVER, SOME LAWS DO NOT ALLOW THE EXCLUSION OF IMPLIED WARRANTIES. IF THESE LAWS APPLY, THEN ALL EXPRESS AND IMPLIED WARRANTIES ARE LIMITED IN DURATION TO THE WARRANTY PERIOD. NO OTHER WARRANTIES APPLY AFTER THAT PERIOD.

Some jurisdictions do not allow limitations on how long an implied warranty lasts, so the above limitation may not apply.

Under no circumstances are we liable for any of the following:

1. Third party claims against you for losses or damages.
2. Loss of, or damage to, your records or data; or
3. Economic consequential damages (including lost profits or savings) or incidental damages, even if we are informed of their possibility.

Some jurisdictions do not allow the exclusion or limitations of incidental or consequential damages, so the above limitation or exclusion may not apply to you.

This Limited Warranty gives you specific legal rights, and you may also have other rights that vary from jurisdiction to jurisdiction.

FCC RADIO FREQUENCY STATEMENT

This equipment has been tested and found to comply with the limits for a Class B digital device, pursuant to part 15 of the FCC rules. These limits are designed to provide reasonable protection against harmful interference in a residential installation.

This equipment generates, uses and can radiate radio frequency energy and, if not installed and used in accordance with the instructions, may cause harmful interference to radio communications. However, there is no guarantee that interference will not occur in a particular television reception (which can be determined by turning the equipment off and on), the user is encouraged to try to correct the interference by one or more of the following measures:

- Reorient or relocate the receiving antenna.
- Increase the separation between the equipment and receiver.
- Connect the equipment to an outlet on a circuit different from that which the receiver is connected.
- Shielded interconnect cables and shielded power cord which are supplied with this equipment must be employed with this equipment to ensure compliance with the pertinent RF emission limits governing this device.
- Consult the dealer or an experienced radio/TV technician for help if the conditions persist.
- Changes or modifications not expressly approved by the manufacturer or authorized service center could void the user's authority to operate this equipment.

This device complies with Part 15 of the FCC Rules. Operation is subject to the following two conditions: (1) this device may not cause harmful interference, and (2) this device must accept any interference received, including interference that may cause undesired operation.

CONTACTING PLUSTEK

Europe: Plustek Technology GmbH
Gutenbergring 38
22848 Norderstedt
Germany

Tel.: +49 (0) 40 523 03 130
Fax: +49 (0) 40 523 03 500
E-mail: support@plustek.de
Website: www.plustek.de

North America: Plustek Technology Inc.
17517 Fabrica Way, Suite B
Cerritos, CA 90703
U.S.A.

Tel: +1 -714-670-7713
Fax: +1 -714-670-7756
E-mail: supportusa@plustek.com

**Worldwide except
Europe & North America:** Plustek Inc.
13F-1, No.3 (Building F), Yuan Qu Street
115 Nankang, Taipei
Taiwan

Tel: +886-2-2655 7866
Fax: +886-2-2655 7833
Website: www.plustek.com

Visit our website
<http://www.plustek.com/support/support.htm>
for more customer service information.