

UNICOMP : UNX3303B1

เครื่องตรวจจับโลหะแบบพกพา

(Hand Held Metal Detector)



Model : UNX3303B1

เหมาะสำหรับ : การตรวจจับอาวุธ, มีด, ปืน, ของมีคม, โลหะชนิดต่างๆ ที่อาจแฝงเข้ามาใกล้ตัวบุคคล

Application :

1. Aviation ,Station , Ports
2. Customs, Public Security , Frontier Defense Department
3. Medicine , Food Commerce System
4. Critical Infrastructure , Playground Security
5. Precious Metal inspection , such as gold , silver jewelry manufacturer

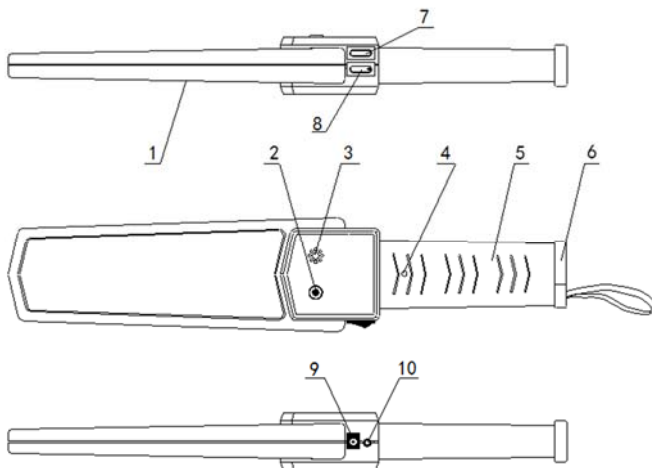
Features

1. High Sensitive
2. Simple , Convenient , No adjusting
3. 9V fell to 7V , detection range is constant
4. Save electricity , continuously work more than 40 hours
5. Alarm by buzzing or vibrating
6. Automatically buzz or vibrate continuously, when the battery run out
7. Boot or shutdown , the detector will buzz or vibrate
8. Sensitivity level, high and low, two options
9. Have plug-in socket

Specification

Power Supply	9V battery or rechargeable battery
Power	270MW(Max)
Frequency	22KHz
Standby Current	<5MA
Voltage	DC 7-12V
Operation Temperature	-10°C---+65°C
Weight	360g
Dimensions	417mm X 90mm X 33mm
Package Size	430mm X 95mm X 40 mm
Alarm Method	Buzz / Vibrate

Schematic Diagram

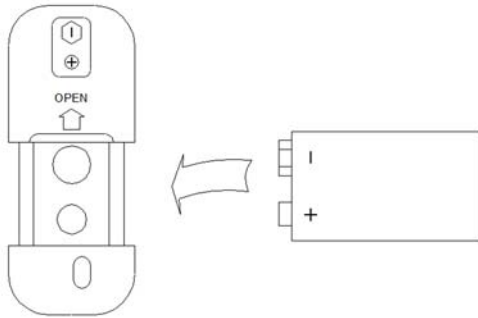


1. Detection Face
2. LED(Green for Power /Red for Alarm)
3. Buzzer
4. Sensitivity Adjuster
5. Handle
6. Battery Coer
7. Low Sensivity Switch
8. On/Off Switch
9. Power Socket
10. Buzzer / Vibrator Button

Detection Range

1. Pin	30—60mm
2. 64 Caliber Hand Gun	150mm
3. Knife	160mm
4. Diameter	20mm
5. Steel Ball	90m

Replacement Battery



1. With the thumb in the groove to the back to open the battery back cover.
2. Insert the 6F22 (9V) battery according to the positive and negative symbols on the battery cover.
3. Close the battery cover and push it forward.

Instructions:

1. Turn on the power switch (8) and hear "click" to indicate that the power is on and the green light is on. If the green does not light indicate that the battery is not installed or poor battery contact. If continuous sound or continuous vibration happened, that the battery cannot be used, should replace the battery.
2. Buzzer or vibration is optional .Press the red button (10), alarm by vibrating. Do not press the red button, alarm by buzzing.
3. Turn on the detector, it will be on the high sensitivity state. Hold the detector with the detection face towards the surface of something, sweep backwards and forwards continuously above the area of it. The detector will buzz or vibrate, when it detects the metal. Meanwhile the green light will turn into red. If the detector is held still, the detection signal will automatically reduce.
4. Low sensitivity testing: if you do not need to detect the smaller metal object, press the low sensitivity button. Sweep backwards and forwards continuously above the area of the object. The detector will buzz or vibrate, when it detects the metal. Meanwhile the green light will turn into red. If the detector is held still, the detection signal will automatically reduce. Detector will only respond to the bigger metal. Because the sensitivity is 5 times lower.